



AcGIS LBA Cluster

AcGIS DRaaS: Load Balanced High Availability Cluster with Failover.

Cited, Inc.

hello@citedcorp.com

DRaaS LBA Cluster

Our DRaaS LBA Cluster is used when even the smallest amount of downtime impacts critical operations.

The two servers replicate changes to each other so that the data is identical on both servers, ensuring that end user experience is identical whichever regardless of which server is the active server.

In addition to the same data center, network and hardware failover of our Basic and Multi solutions, the LBA Cluster solution contains multiple points of resiliency within the hardware infrastructure.

The LBA Cluster example above provides Enterprise options including VLAN support, load-balancers, and multi-tier security.

This solution above includes two hypervisors, with the primary in your choice of our USA (New York City and Seattle), UK (Maidstone) or Germany (Frankfurt).

These hypervisors are backed by twin power feeds from different phases and twin network feeds with different routes.

Within the hypervisor configuration are multiple layers of virtual infrastructure including highly available firewalls to provide a resilient ingress and egress from the cluster.

Two load balancers are also configured in high availability to ensure that load balancing the cluster will continue to operate.

Behind the load balancers we then have three application servers which contain the same static content for serving our application. These application servers are automatically kept in sync.

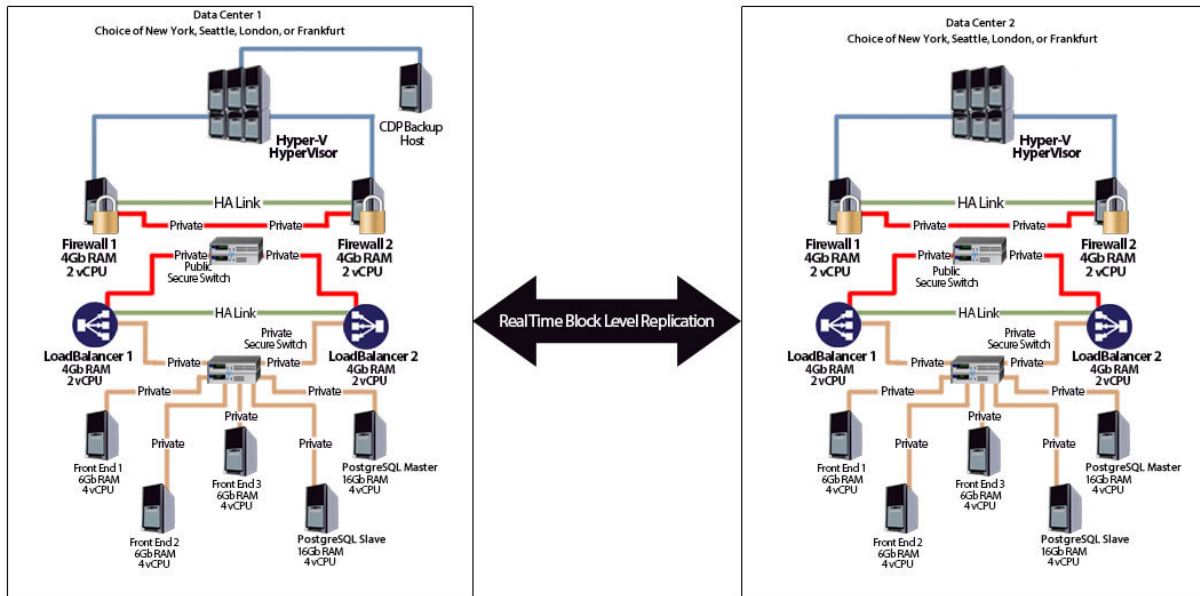
In the above example, PostgreSQL databases are in an active/passive configuration in which the application servers communicate in order to serve dynamic content.

As with all other layers above, the database servers can fail and the other will become the master automatically. In addition to PostgreSQL, we also offer similar configurations for MS SQL, MySQL and Oracle database servers.

No IP changes or DNS updates are required, providing seamless transition between multiple data centers.

High Availability LBA Cluster

Below is a schematic of our DRaaS LBA Cluster configuration as described above.



Ready to Go



AcuGIS Enterprise Suite is provisioned and ready to go. You can start building and serving your GIS content immediately.

Complete

All Enterprise Suites include your choice of GeoServer, GeoNetwork, or GeoNode, along with PostgreSQL, PostGIS, GIS Libraries, Tomcat, Java and any other languages or libraries you require.

No Lock In

AcuGIS Enterprise Suite includes our full interactive management UI. This convenience does not come at the expense of being locked in. You can remove our UI at anytime with zero impact on your applications.

Serving individuals and institutions

AcuGIS Enterprise Suite

Main GIS Software

- GeoServer
 - GeoServer + GeoNetwork
 - GeoNode
-

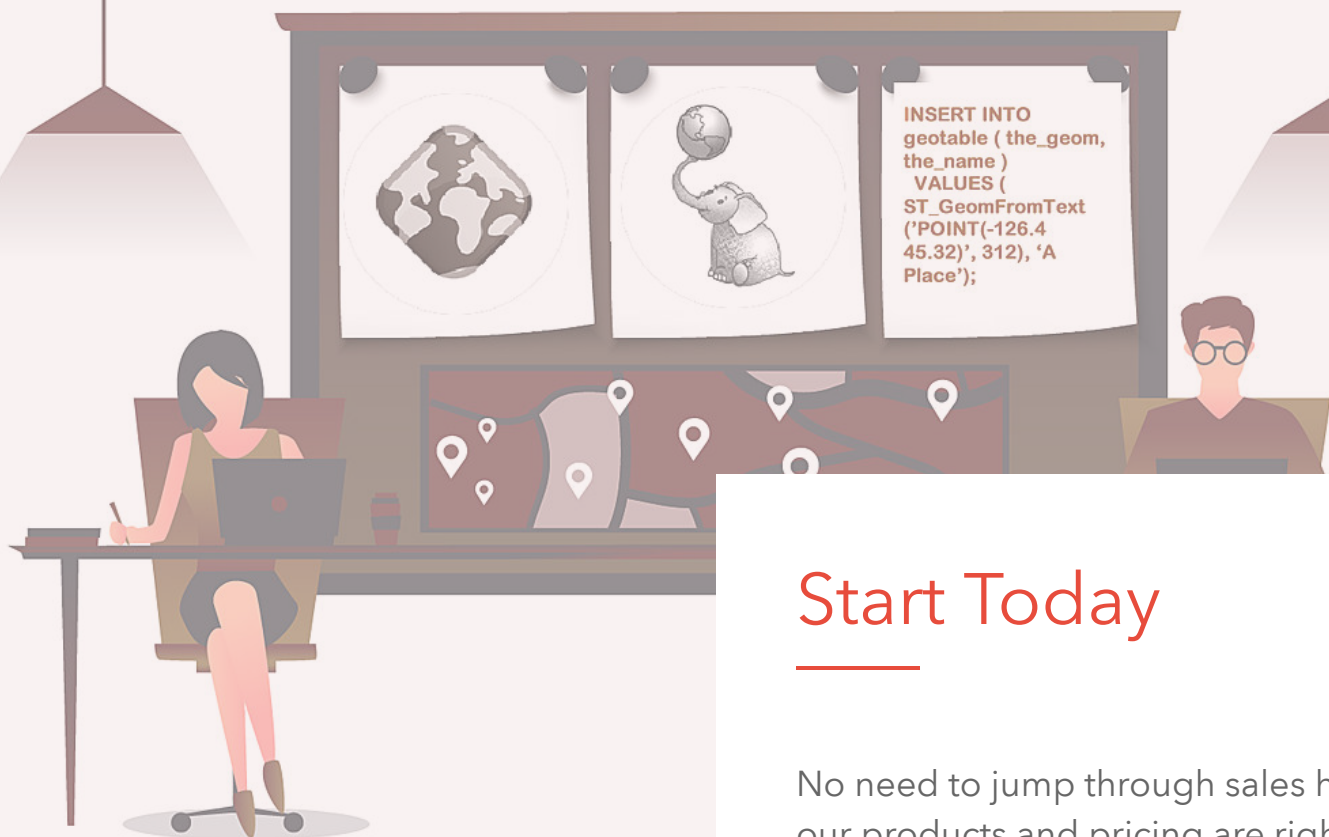
Additional Software

- PostgreSQL
 - PostGIS
 - PgRouting
 - PROJ, GEOS, GDAL, PDAL
 - shp2pgsql, raster2pgsql
 - MySQL (option)
 - Languages: PHP, Java, Perl, Python, and NodeJS
-

Enterprise Components

- Higher Resource Specifications
- Managed Firewall
- Phone Support
- AcuGIS Canvas
- AcuGIS Scout
- AcuGIS Satellite
- VPN (Paid Option)
- Cross-Data Center Failover (Paid Option)

AcuGIS Enterprise control panel included with all packages.



Start Today

No need to jump through sales hoops, our products and pricing are right there on our site. Just sign up and start building, deploying, and managing your GIS solutions.

[Visit AcuGIS Suite](#)

Cited, Inc.

Wilmington, Delaware

hello@citedcorp.com